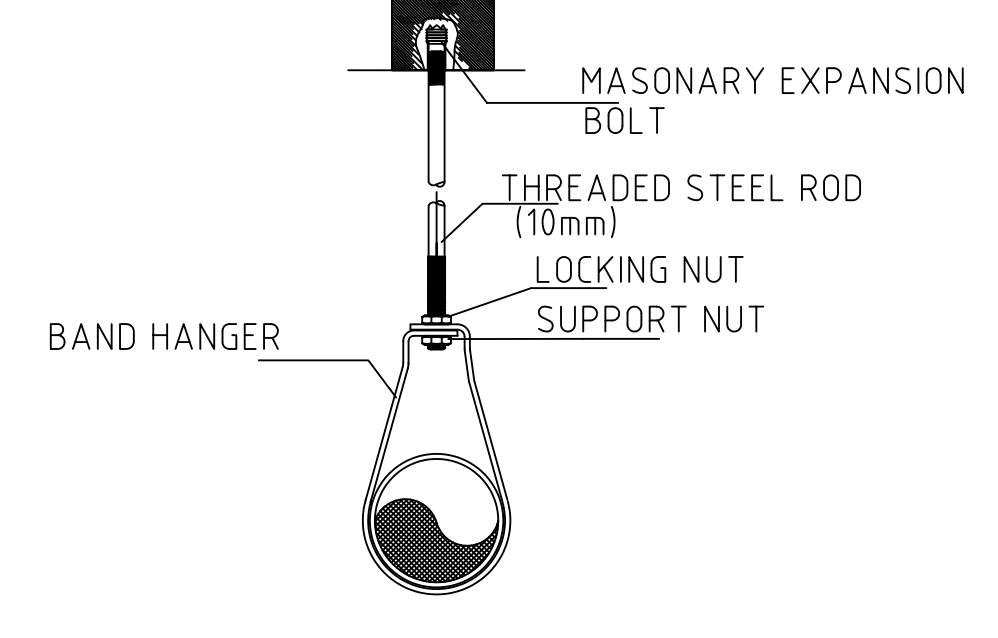
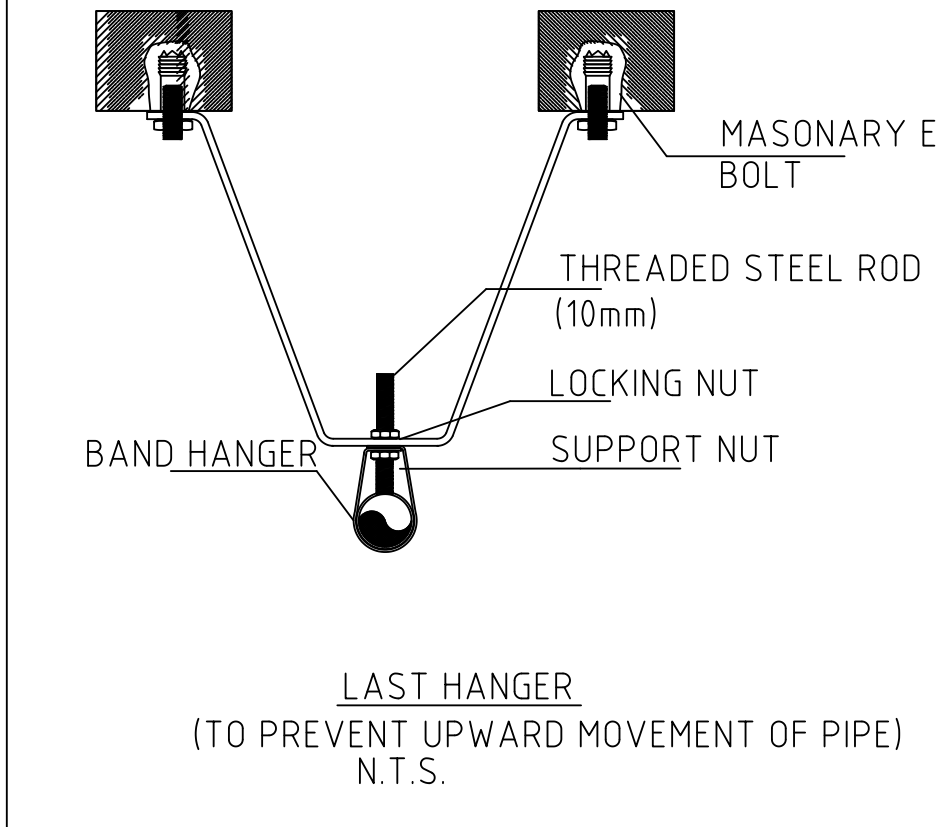
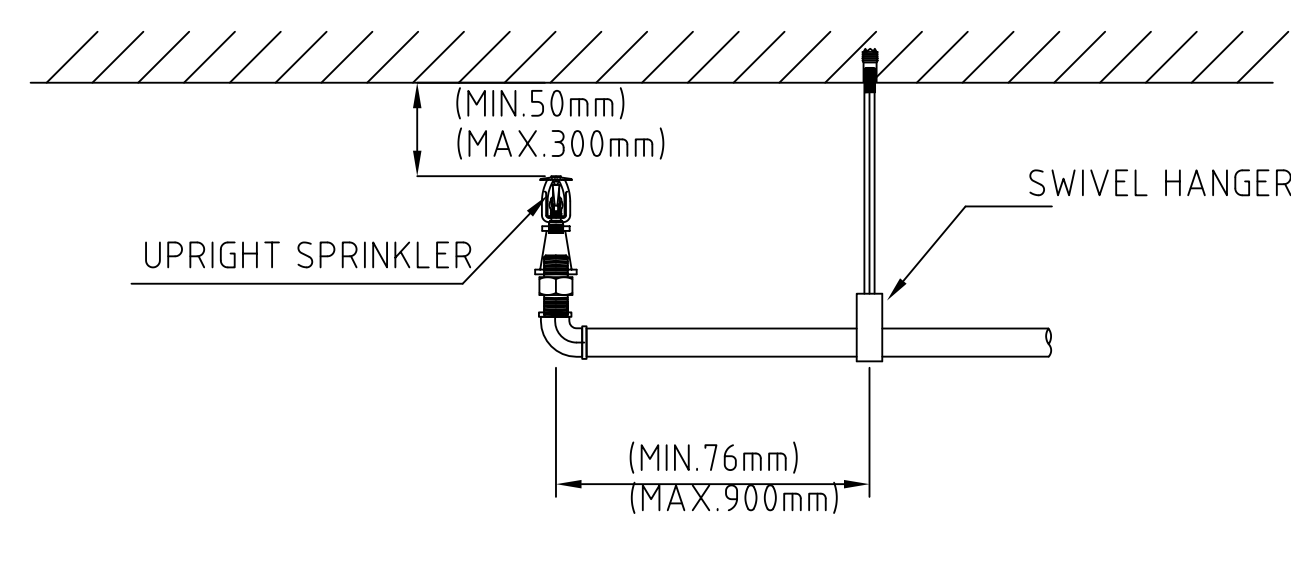
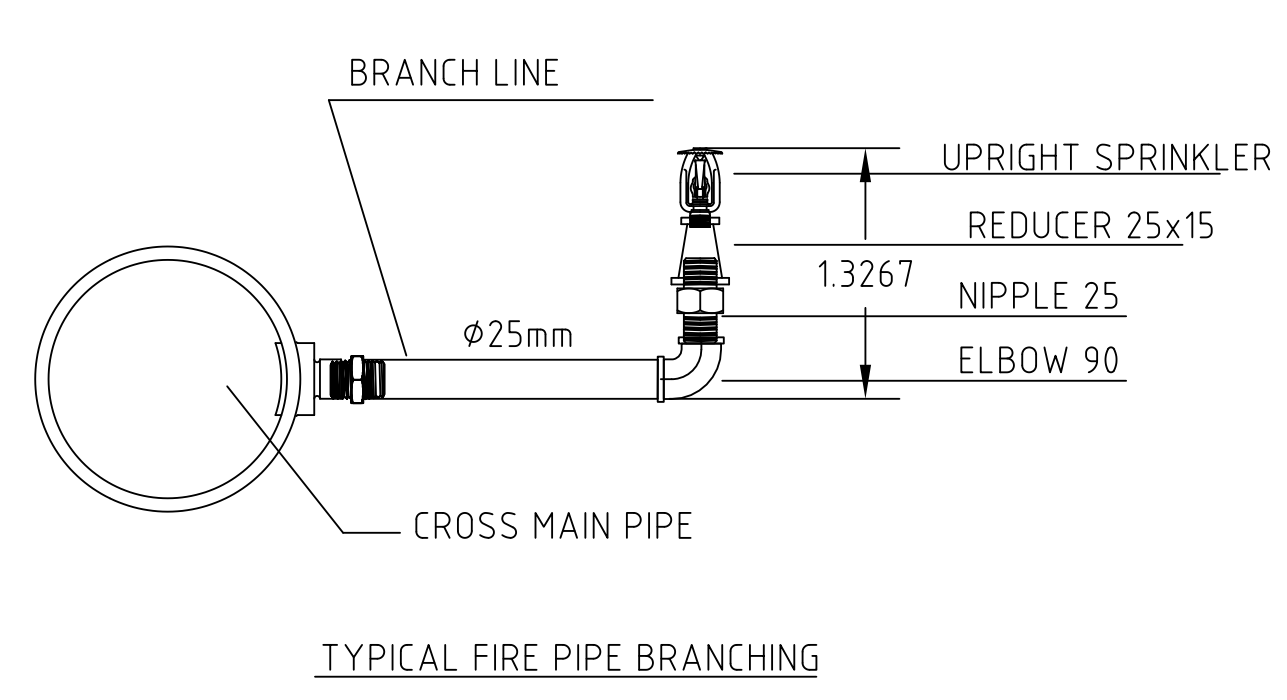
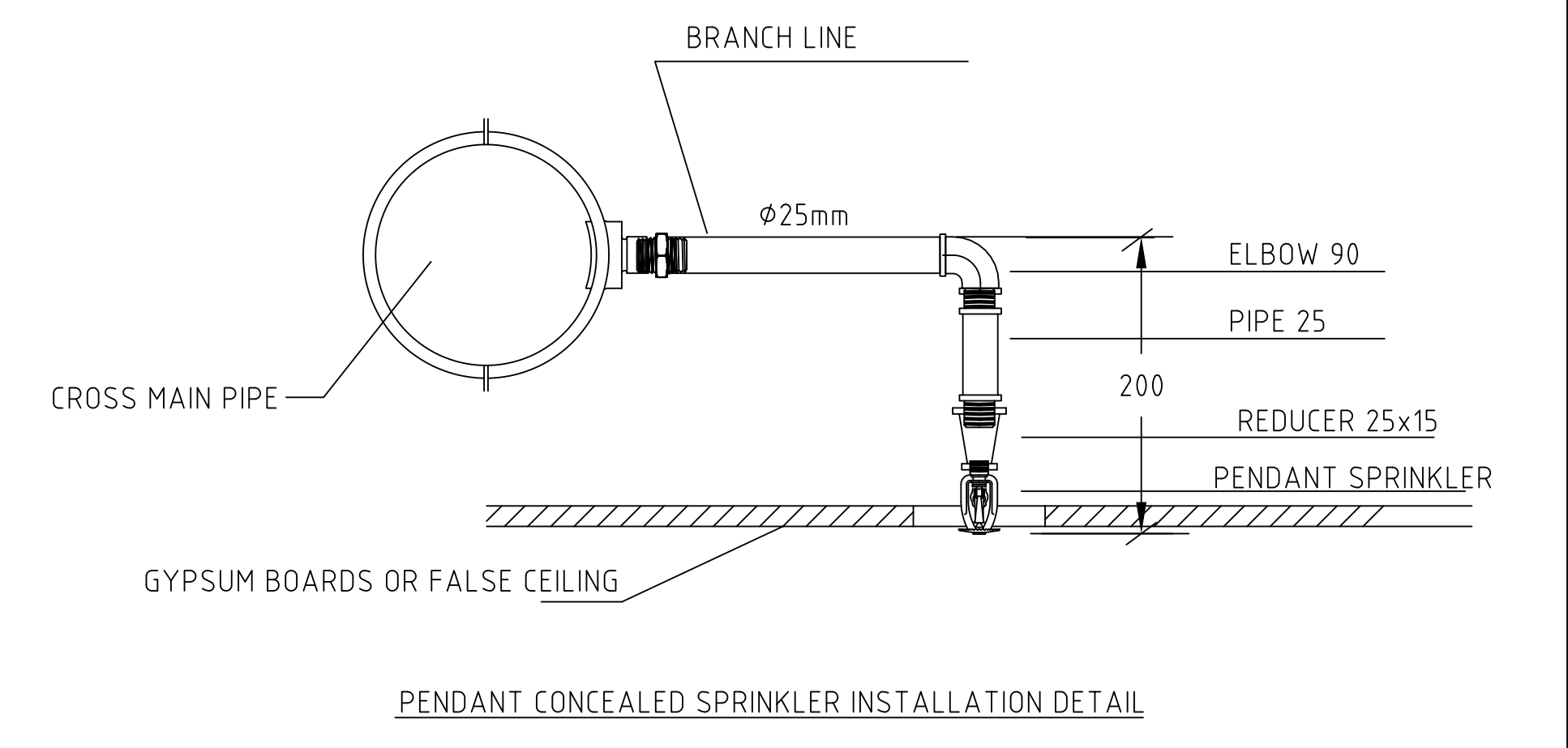


	UPRIGHT SPRINKLER
	PENDANT SPRINKLER
	FLOOR CONTROL VALVE
	FIRE HOSE REEL
	LANDING VALVE
	FIRE HOSE RACK CABINET
	FIRE PIPE EZ LOCK
	TYPICAL HANGER
	LAST HANGAR
	DRAIN VALVE

F / A FROM ABOVE  
 T / B TO BELOW  
 F / B FROM BELOW  
 T / A TO ABOVE  
 D / D DROP DOWN  
 IL INVERT LEVEL  
 FHRC FIRE HOSE RACK CABINET  
 FHR FIRE HOSE REEL  
 FCV FLOOR CONTROL VALVE  
 L.V. LANDING VALVE



SUB CONTRACTOR:  
 T & C QATAR L.L.C. - C.R. 35109  
 P.O. Box: 2329 DOHA, QATAR  
 TEL: (+974) 4421 833 / 4930 614  
 FAX: (+974) 4410 553 / 4930 614

CONSULTANT:  
 ARAB ENGINEERING BUREAU  
 المكتب العربي للتقنية  
 ARAB ENGINEERING BUREAU  
 رقم الهاتف: +974 4477 101 / +974 4477 102 / +974 4477 103  
 رقم الفاكس: +974 4477 104 / +974 4477 105  
 ب.ص. 148 دoha قطر  
 Email: info@abq.com.qa Web: www.abq.com.qa

DESIGNER:  
 GHD  
 GHD  
 30 West 45th Street, New York, NY 10018-3691, USA  
 Telephone: +1 212 904 7600 Fax: +1 212 904 7601  
 Email: info@ghd.com.au Web: www.ghd.com.au

MAIN CONTRACTOR:  
 AL MADAR CONTRACTING  
 P.O. Box: 2329 DOHA, QATAR  
 TEL: (+974) 4675405 - 4674466  
 FAX: (+974) 4671333 - C.R. : 15061  
 WEB SITE: www.almadar-group.com  
 Email: conteng@almadar-group.com

OWNER:  
 ALI ABDUL REDA MASHHADI

PROJECT:  
 AL NOOR OFFICE TOWER AT NEW DOHA  
 2B+G+F+22 FLOORS

DRAWING TITLE:  
 FIRST FLOOR  
 FIRE FIGHTING SYSTEM

DRAWING REFERENCE:  
 75-10288-F008 - FIRST FLOOR FIRE FIGHTING LAYOUT  
 75-10288-F001 - FIRE FIGHTING SCHEMATIC DIAGRAM  
 75-10288-F002 - FIRE FIGHTING GENERAL DETAILS  
 75-10288-F004 - FIRE FIGHTING LEGENDS & NOTES

DRAWN BY	D. FASCIANI		
CHECKED BY	M. ALAA		
APPROVED BY	M. MOHAMUD		
DATE	04.07.07		
SCALE	1:100	SIZE	A0
REVISION	0		
DATE	04.07.07		
DRAWING NO.	TC01M1F01051		
SHEET	1 OF 2		